

# HTSR-150B/W HTSR-170B/W



A



B



C

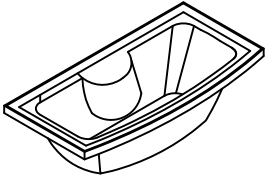


D

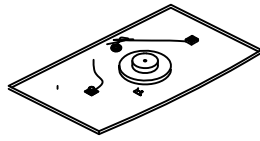


E

1/5



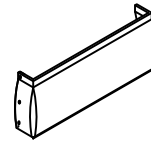
[1]x1



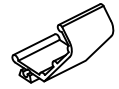
[2]x1



[3]x2



[4]x1



[5]x11



[6]x1



[7]x1



[8]x1



(M12)

[9]x40



(M12)

[10]x12



[11]x12



[12]x5



[13]x8



480mm

[14]x5



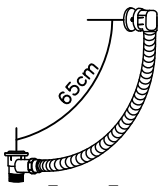
120mm

[15]x1

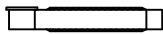


200mm

[16]x2



[17]x1



[18]x1



(ST3.5\*35)

[19]x11



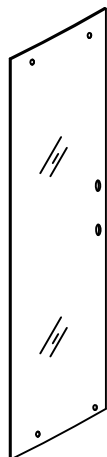
(ST3.5\*16)

[20]x20

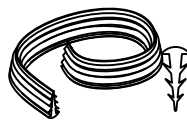
2/5



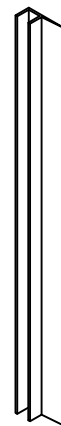
[21]x2



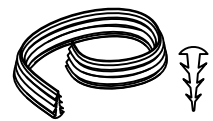
[22]x2



[24]x2

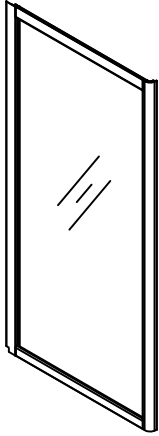


[25]x2



[26]x2

3/5

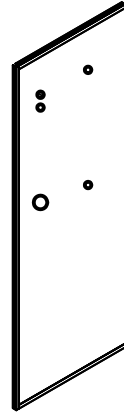


[27]x2

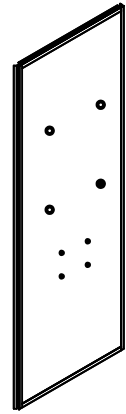


[28]x2

4/5

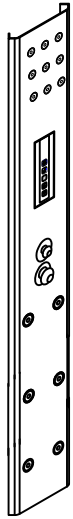


[29]x1



[31]x1

5/5



[32]x1



[33]x2



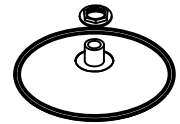
[34]x1



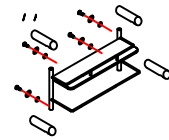
[35]x1



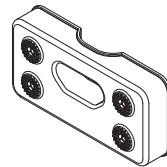
[36]x1



[37]x1



[38]x1



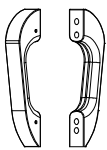
[39]x1



[40]x2



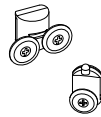
[41]x2



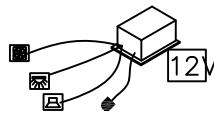
[42]x2



[43]x2



[44]x8



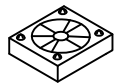
[45]x1



[46]x1



[47]x1



[48]x1



(ST4\*10)  
[51]x34



(ST4\*16)  
[52]x8



(ST4\*12)  
[53]x24

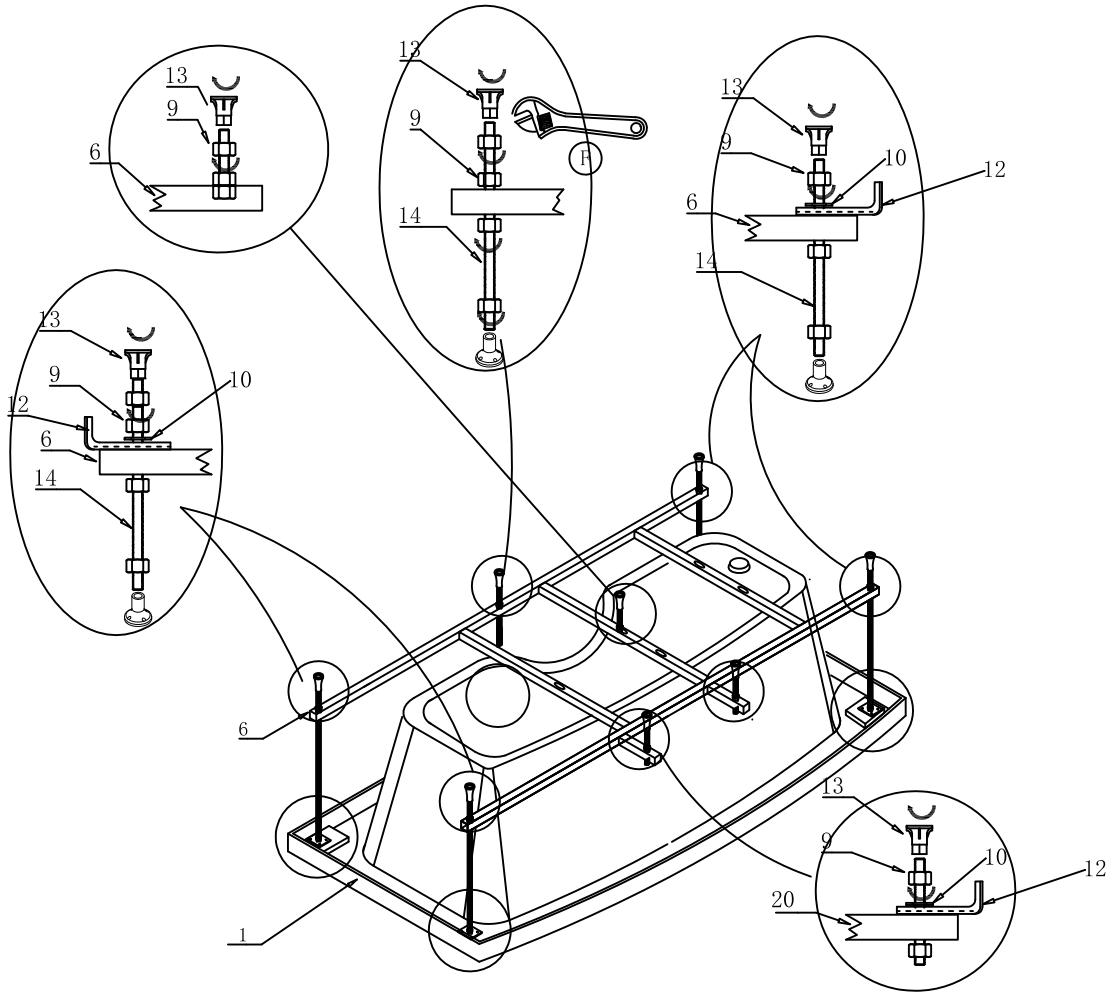


[54]x8

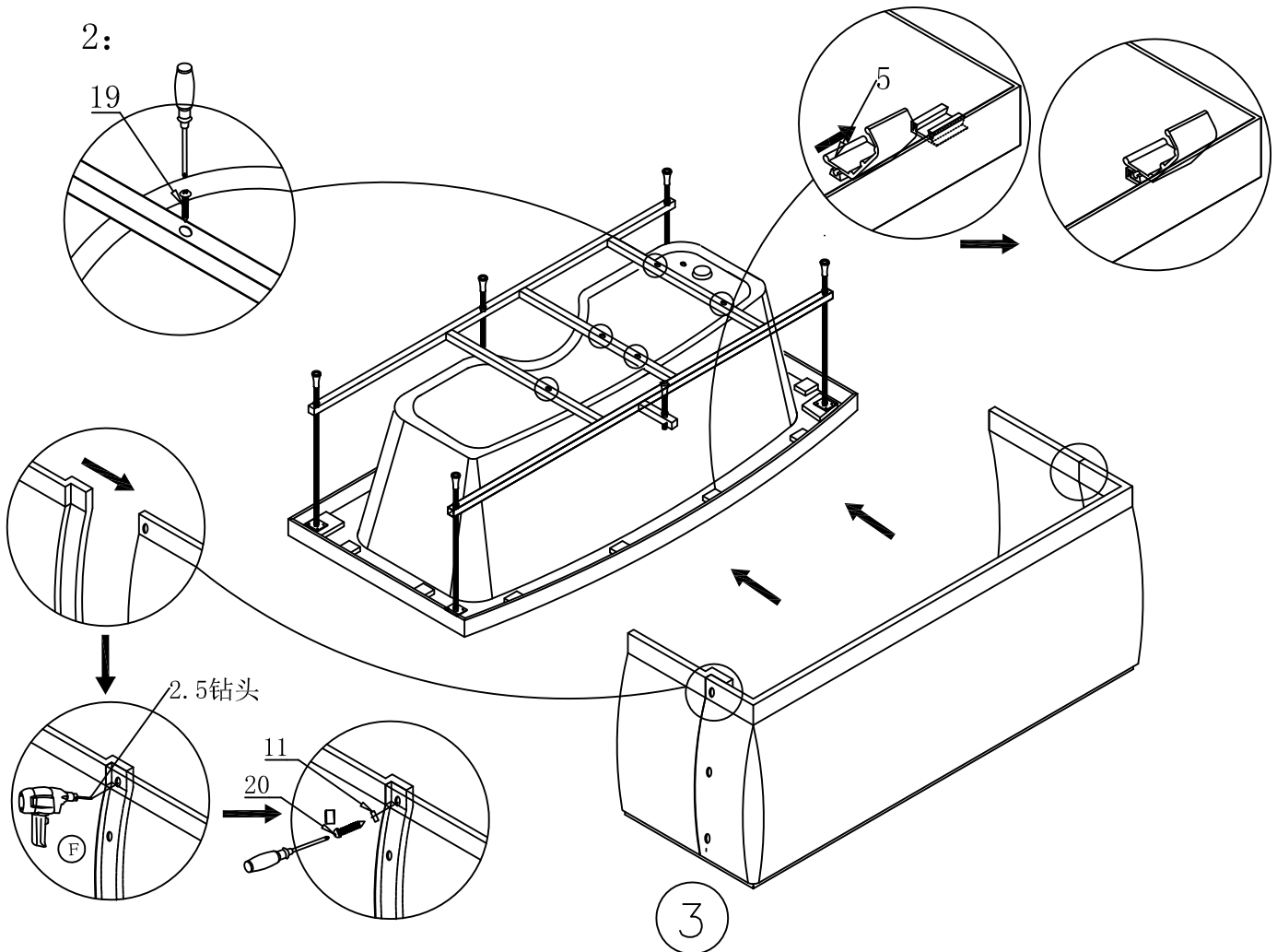


(ST4\*35)  
[55]x2

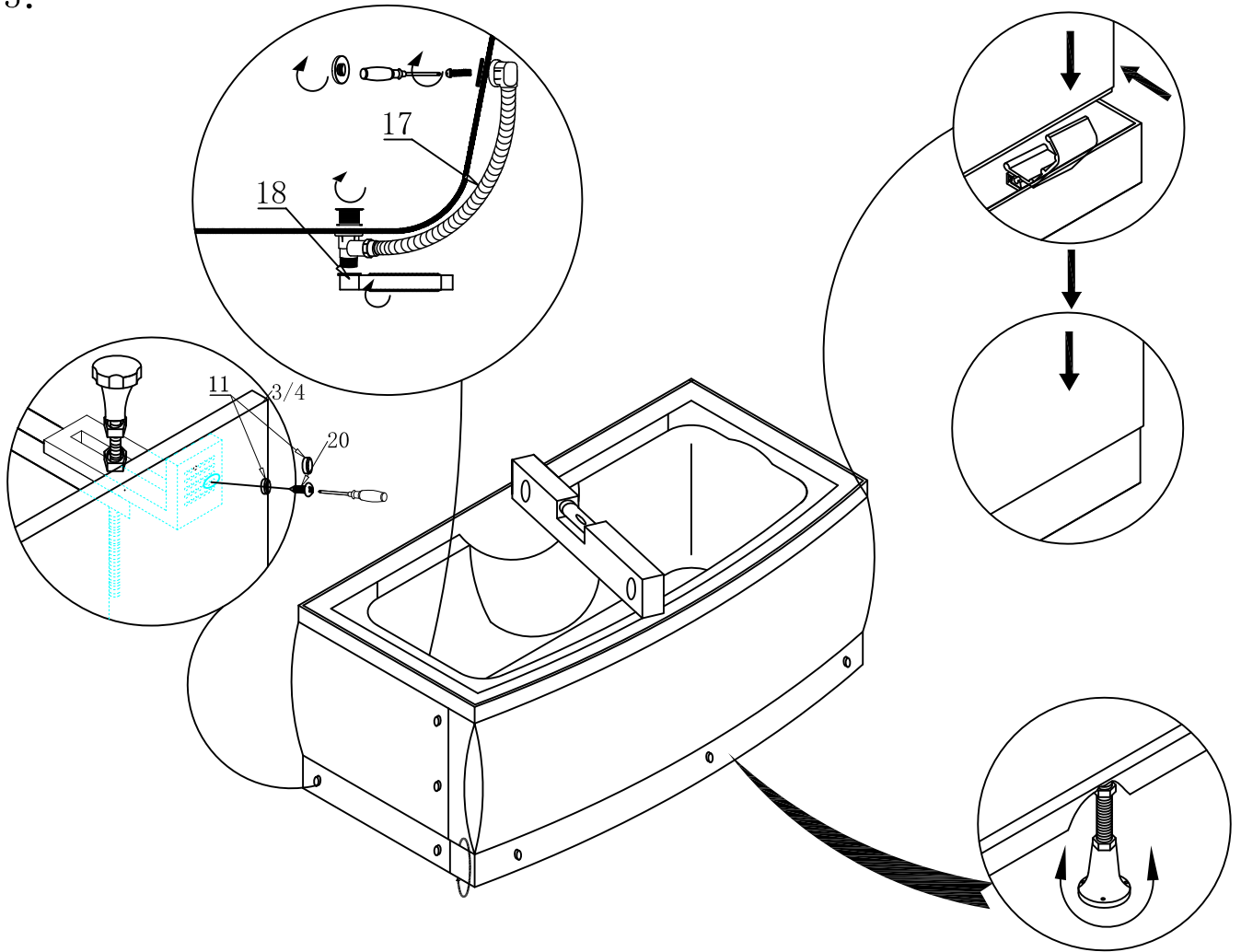
1:



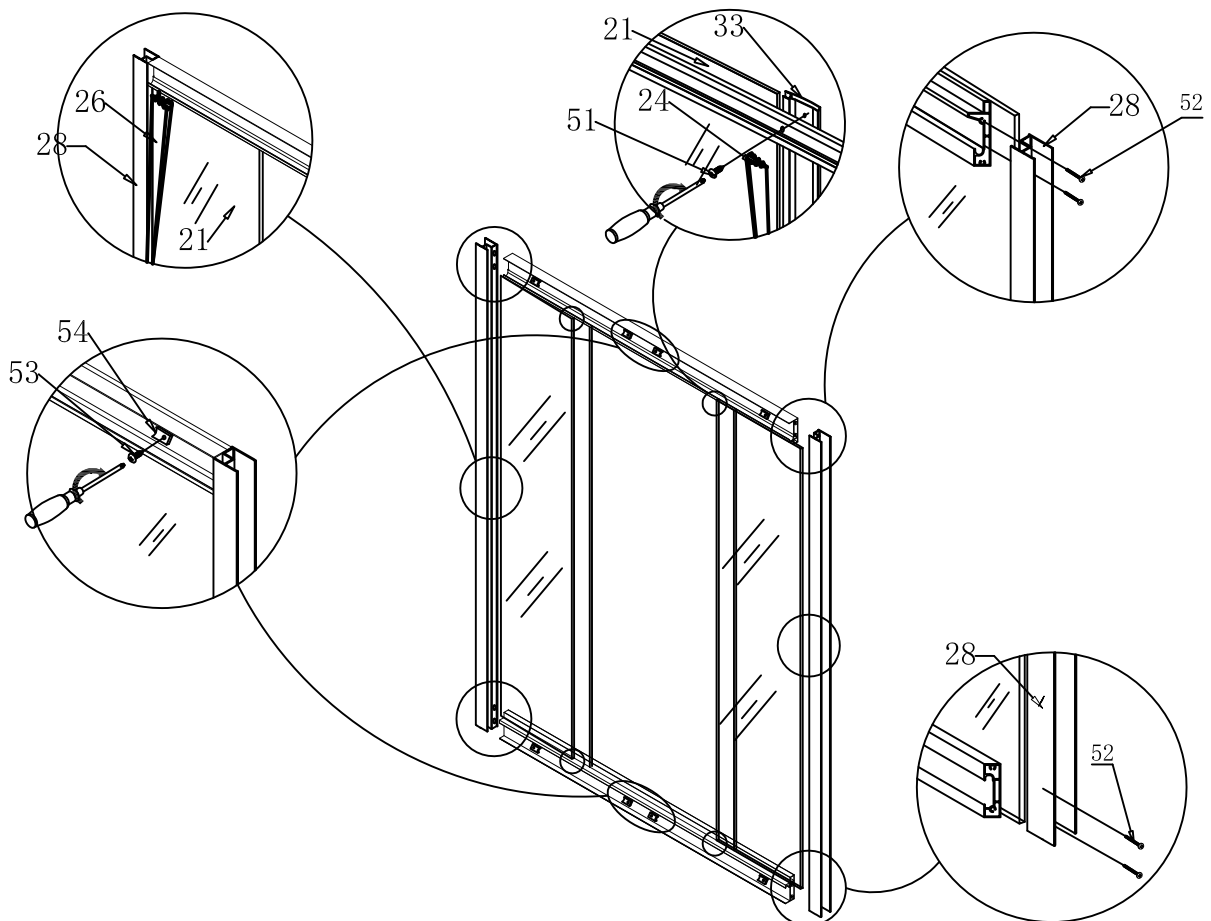
2:



3:

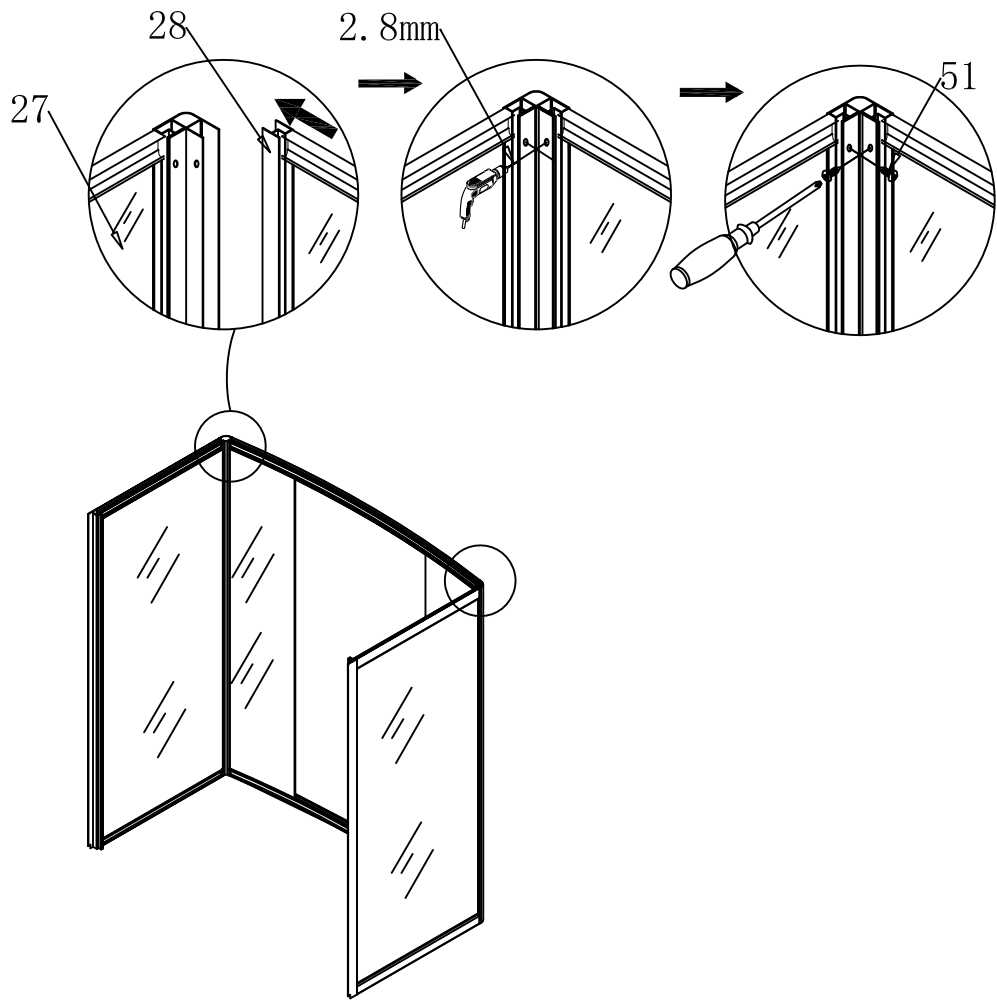


4:

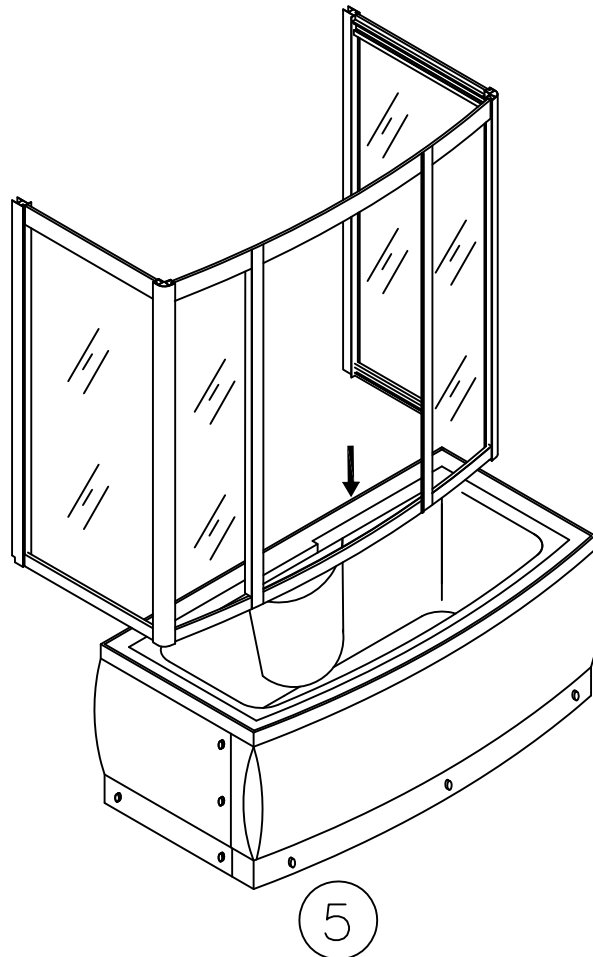


4

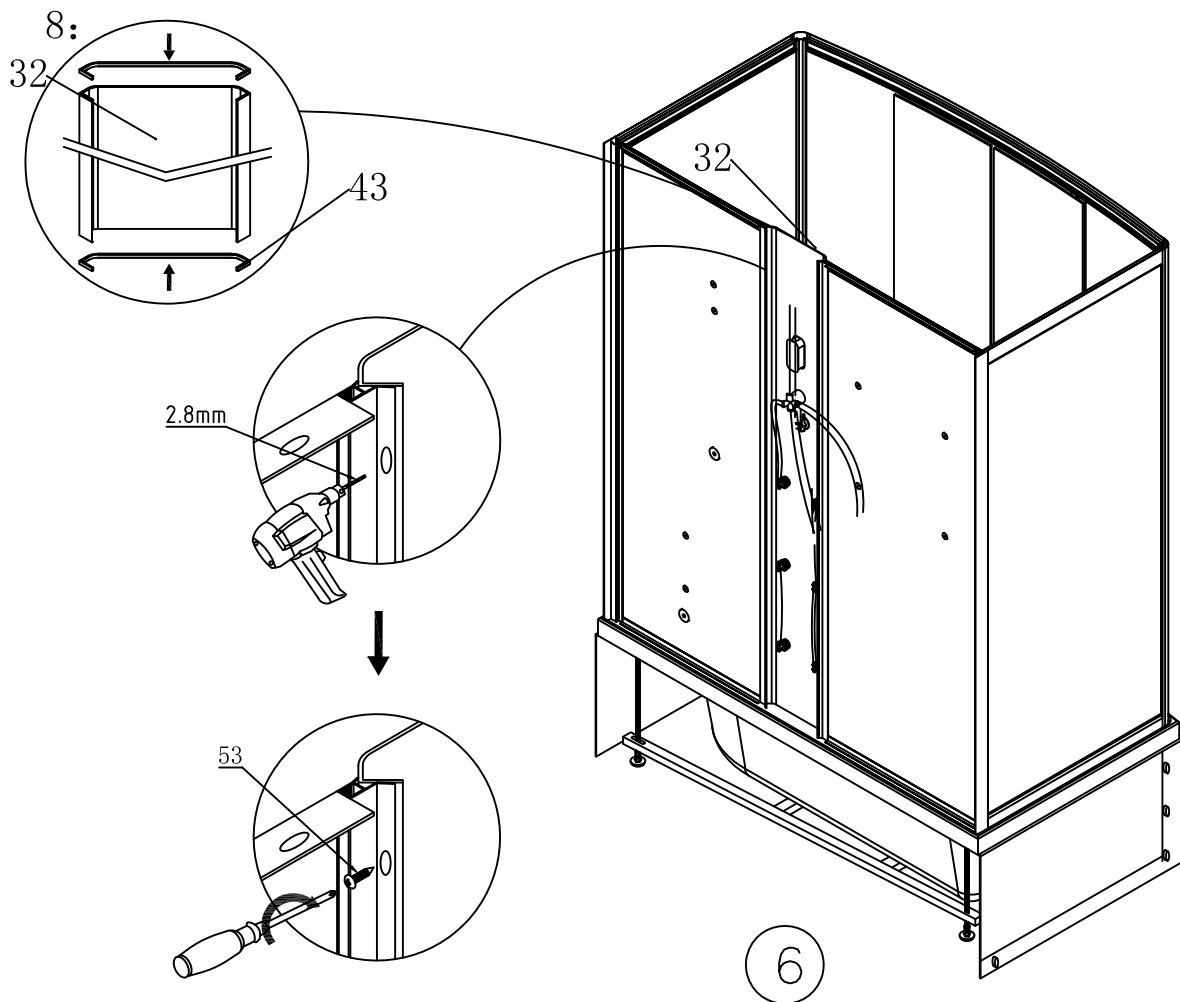
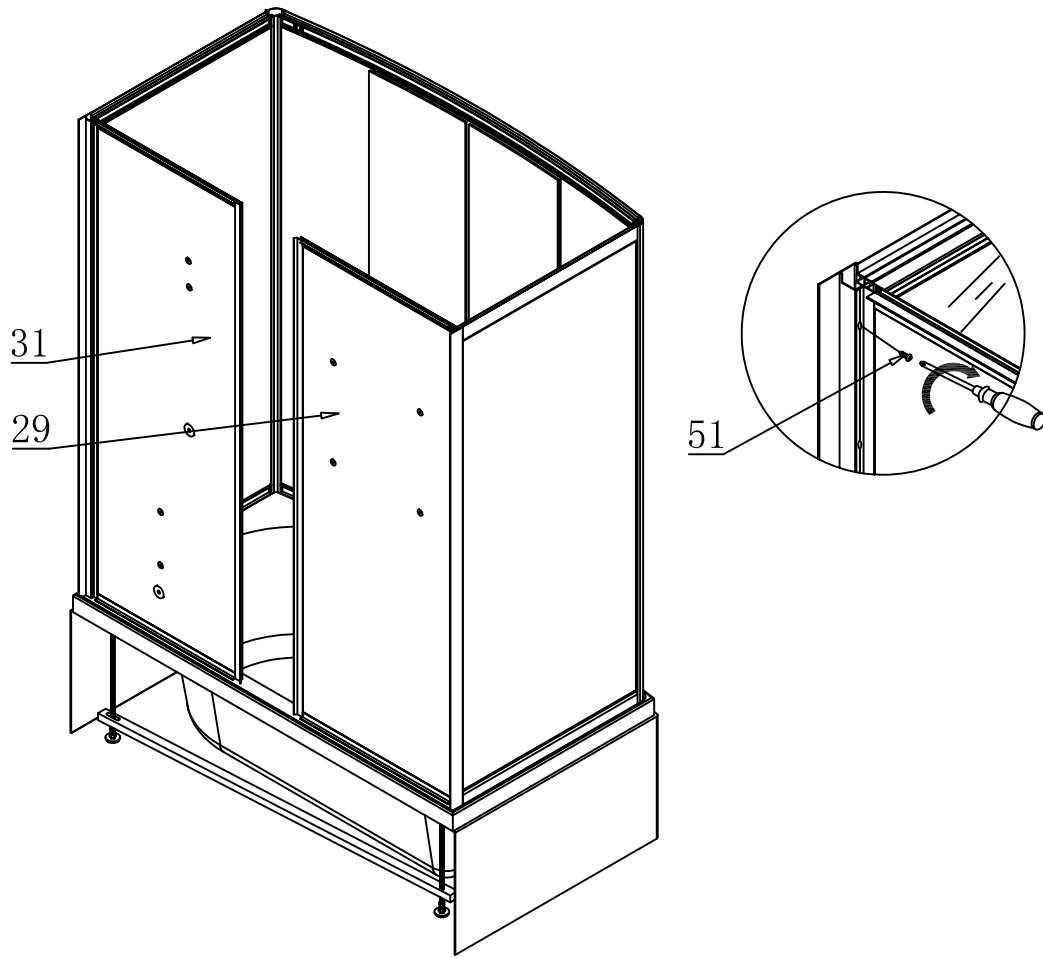
5:



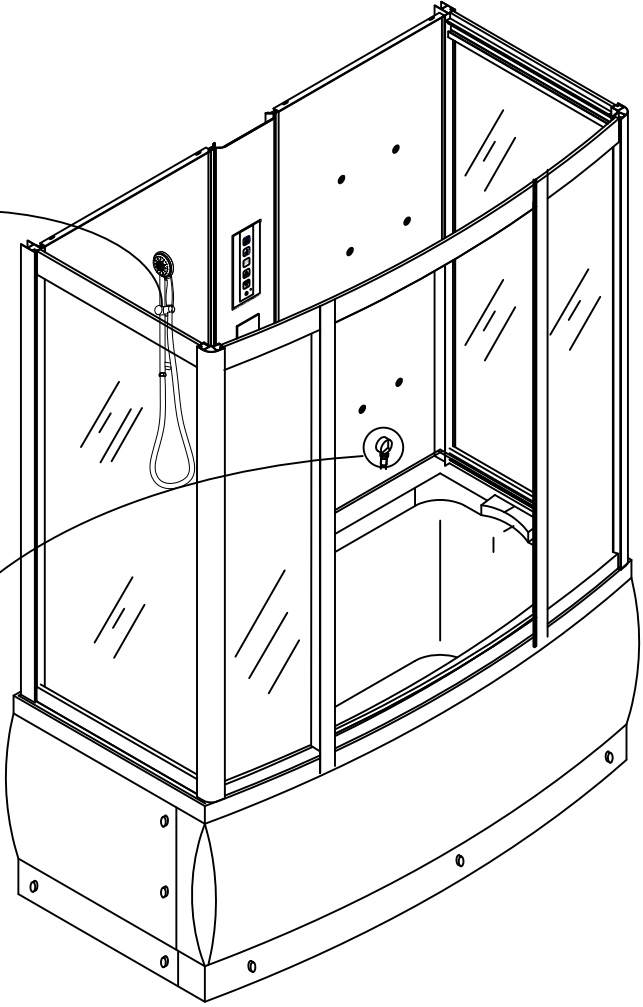
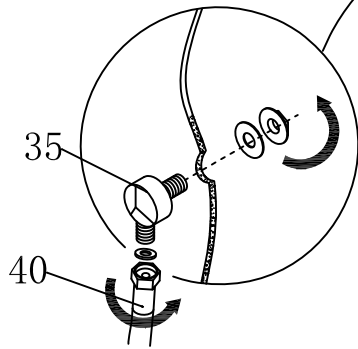
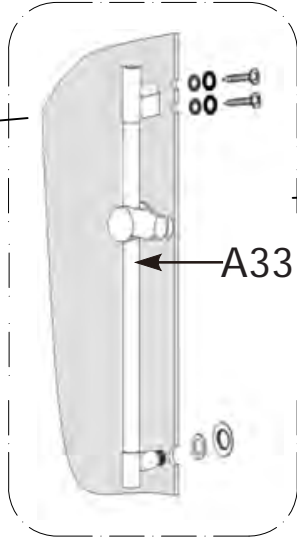
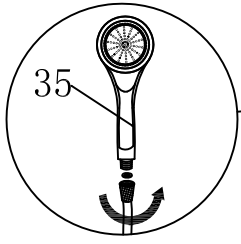
6:



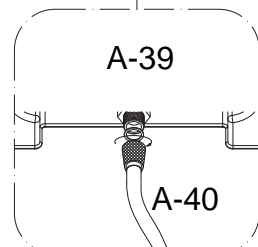
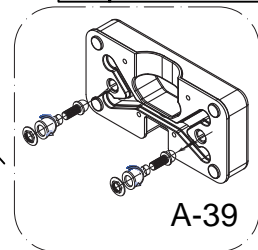
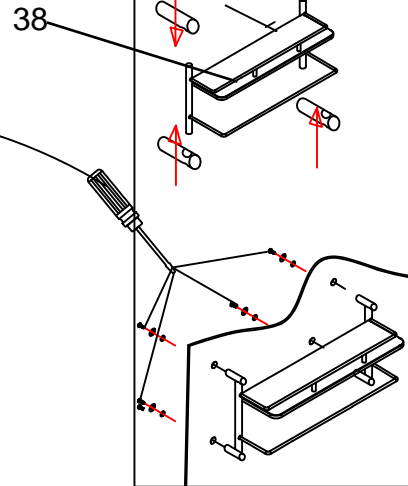
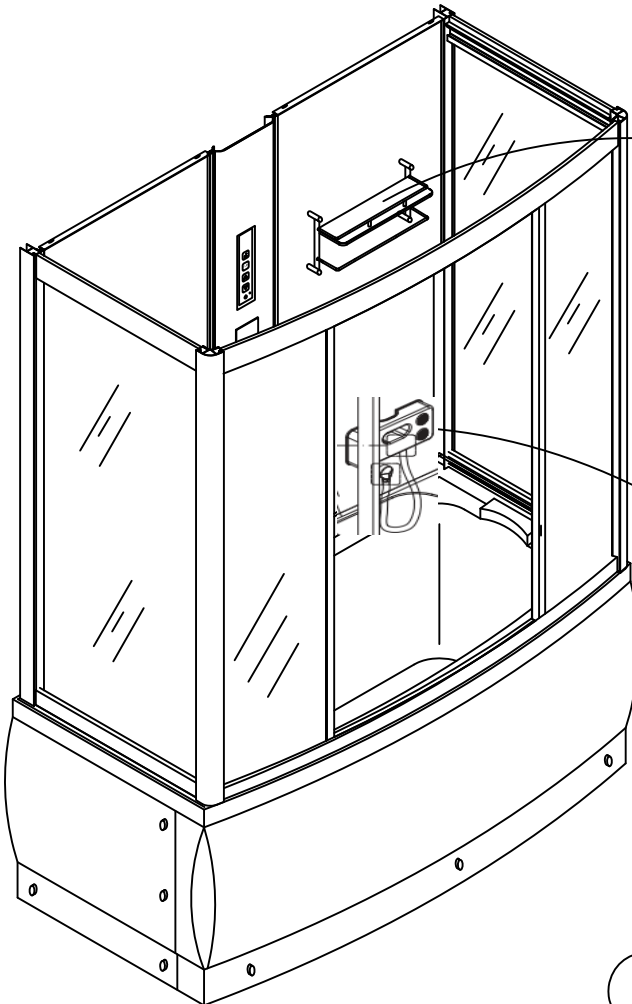
7:



9:

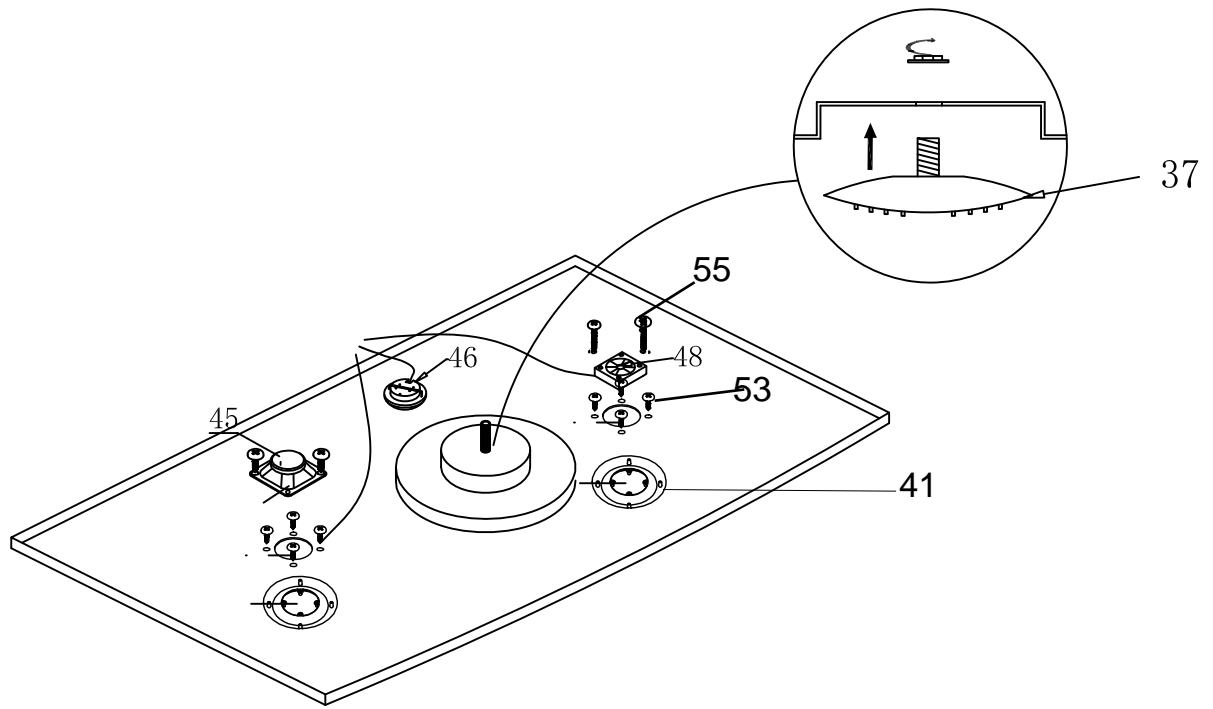


10:

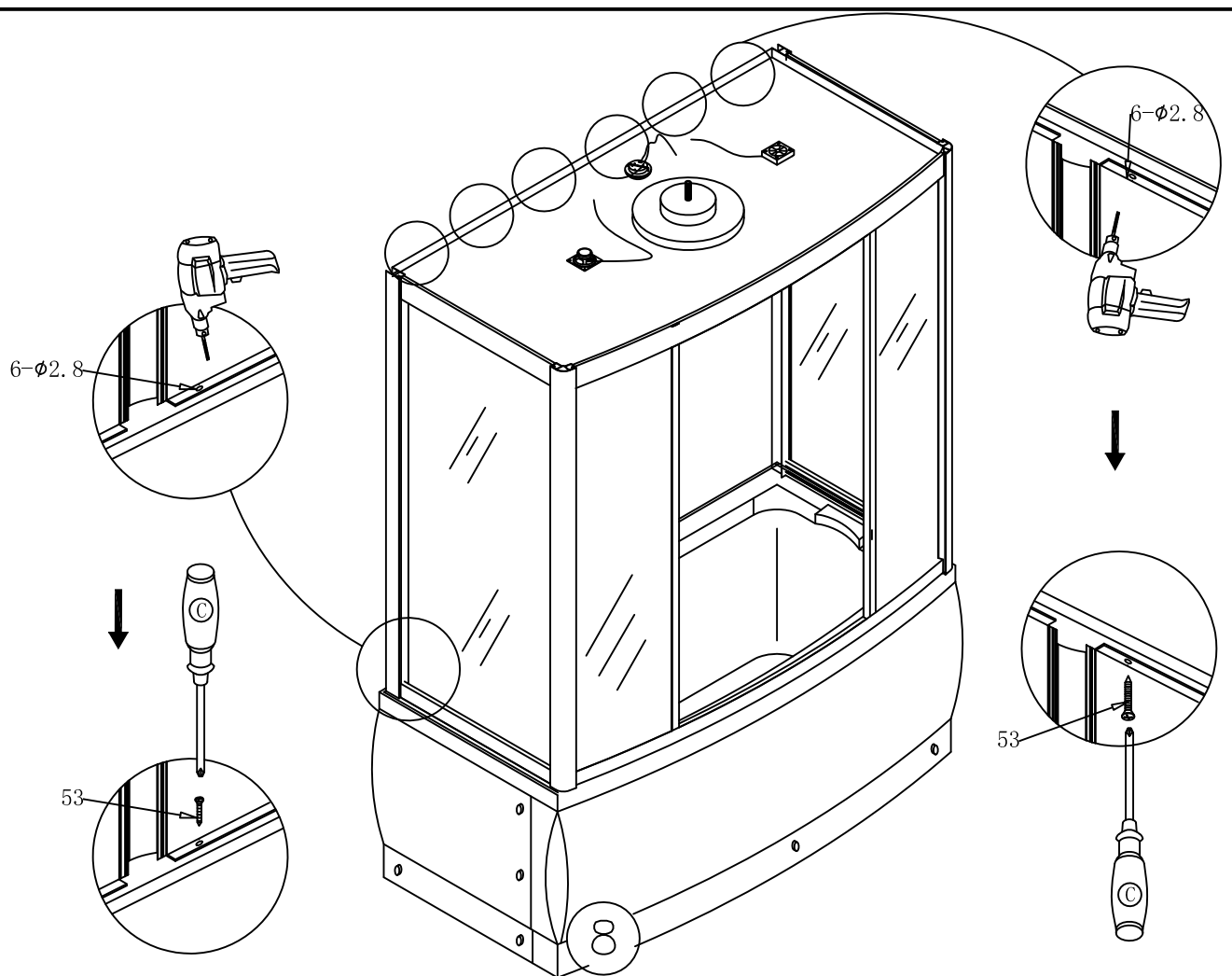




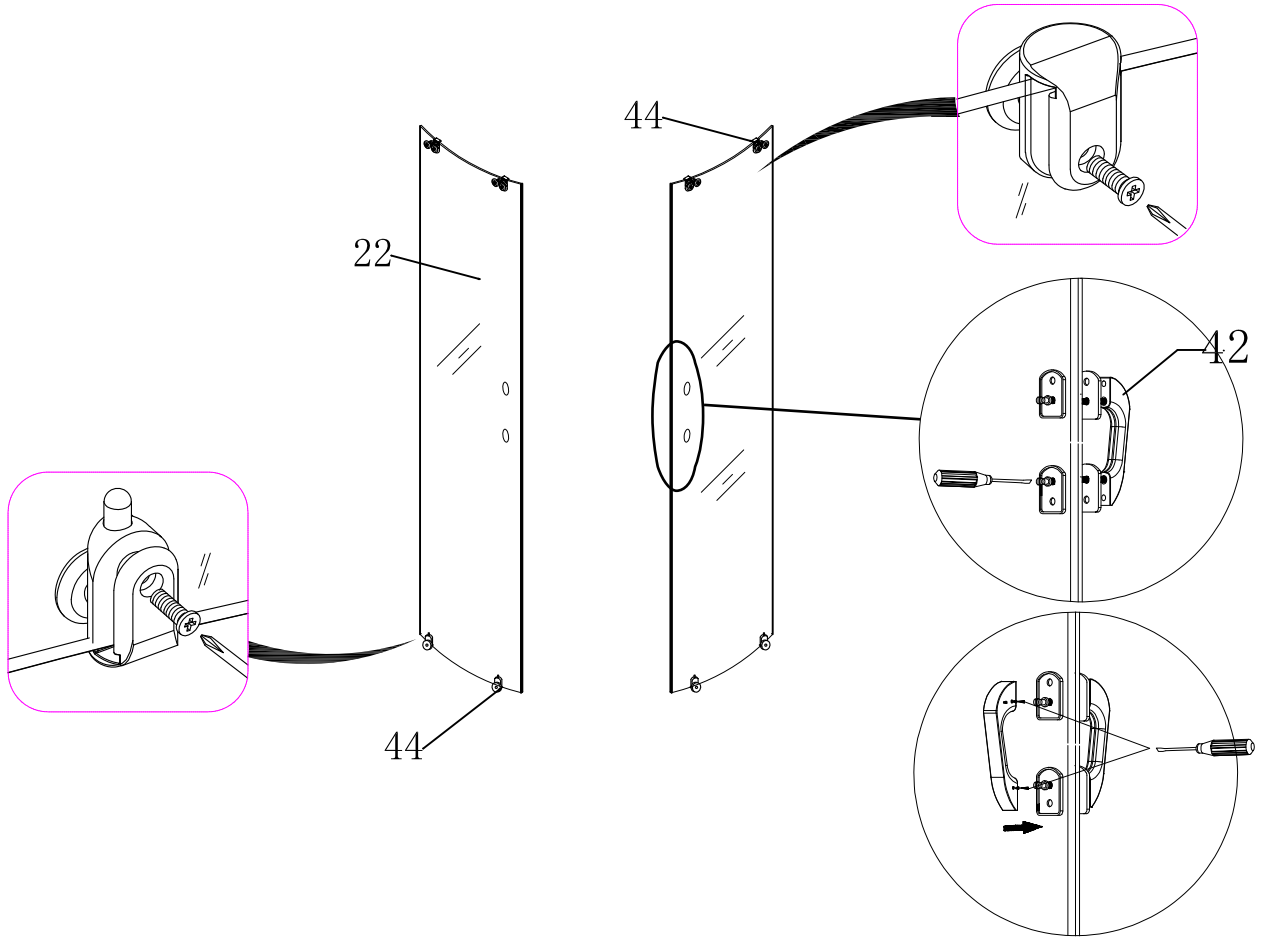
11:



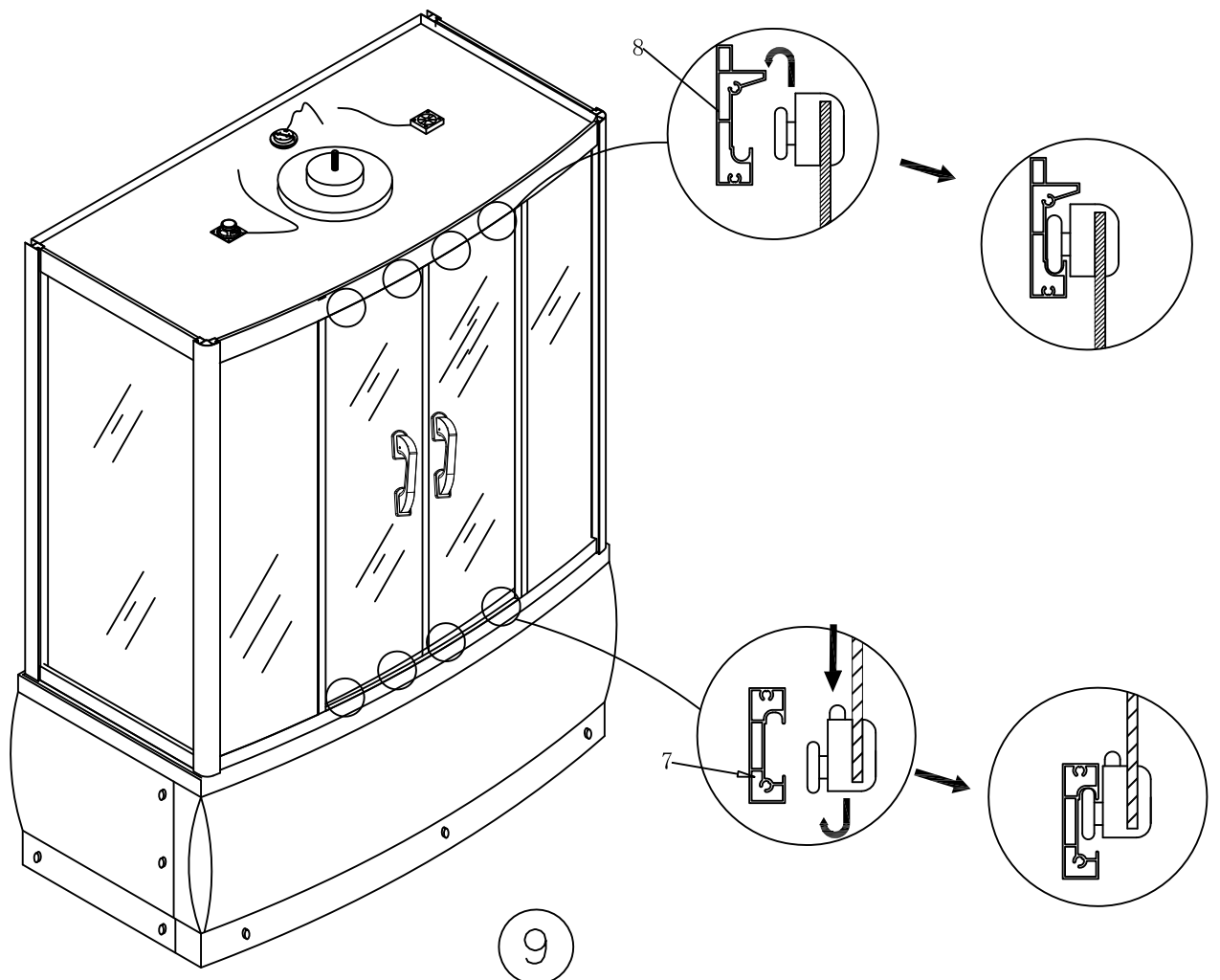
12:



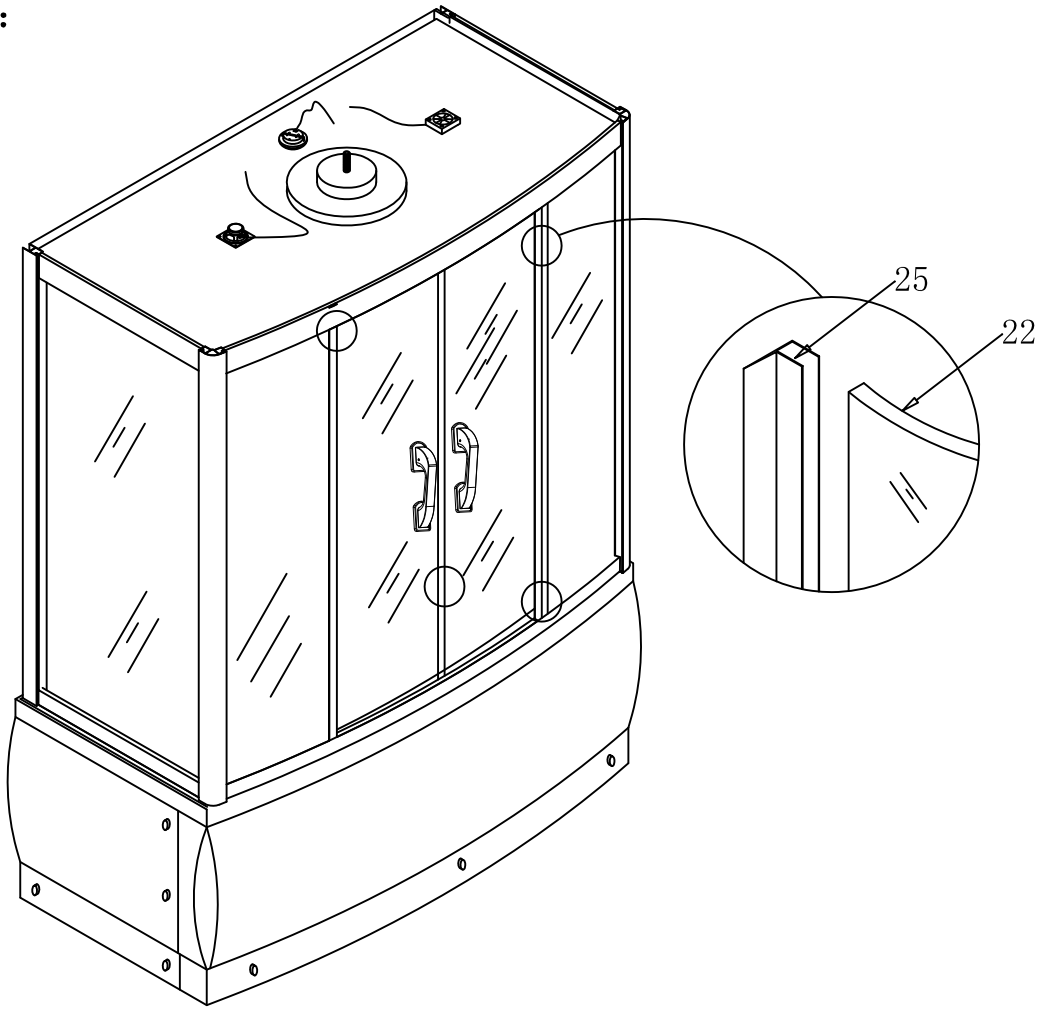
13:



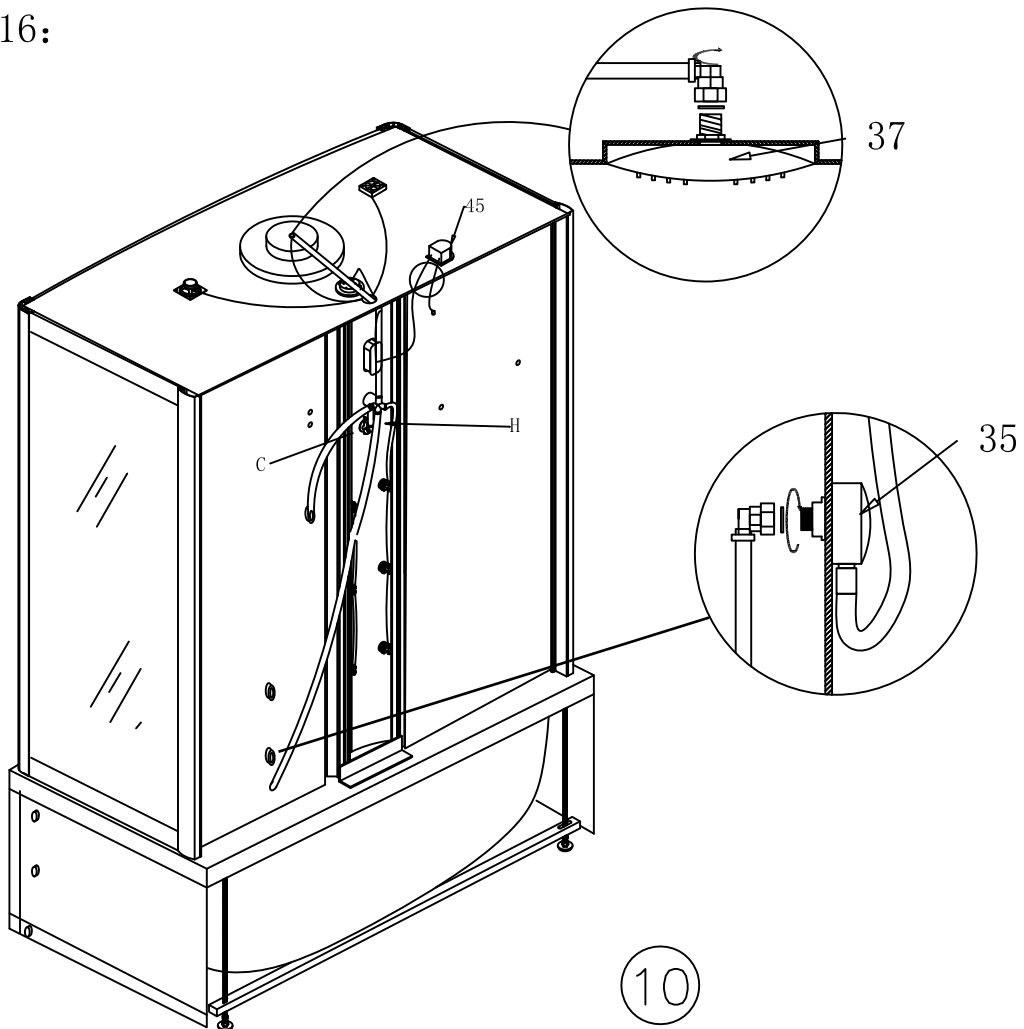
14:



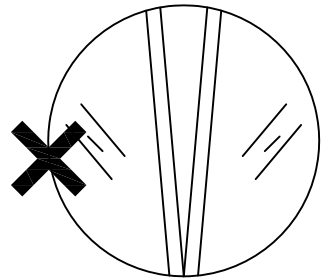
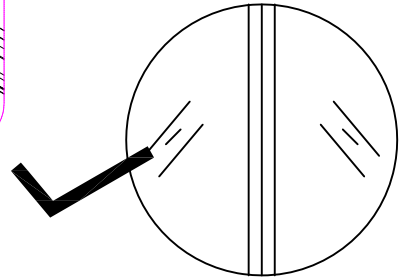
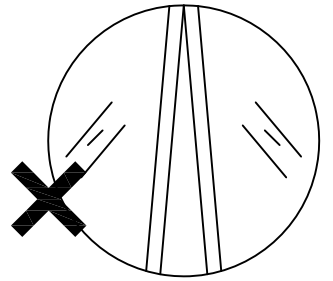
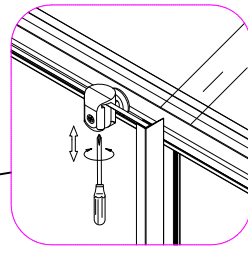
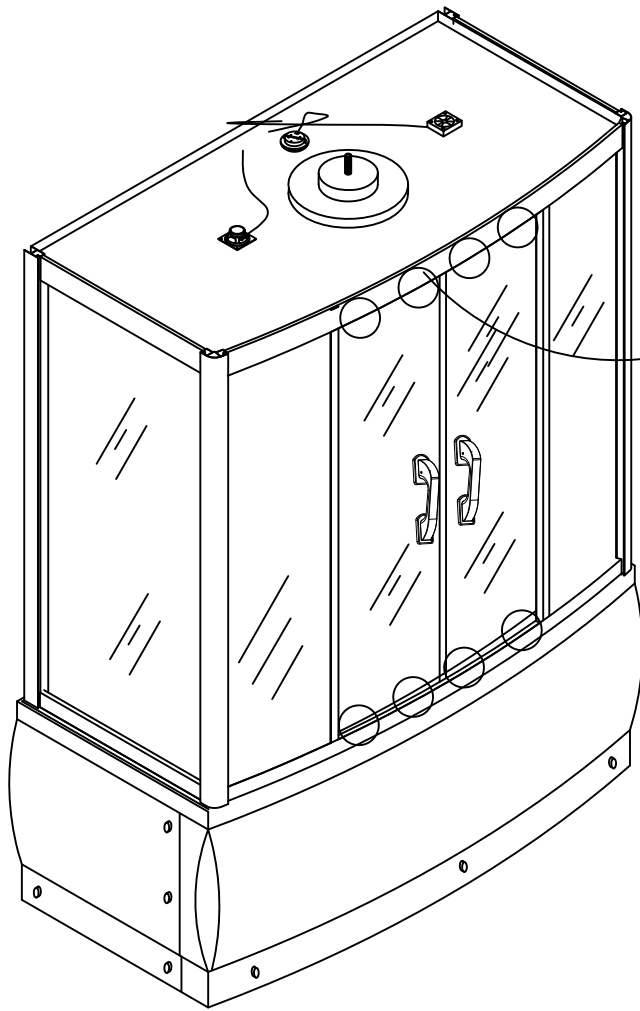
15:



16:



17:



18:

